

XP8000E

XP SERIES Commercial/Residential Portable Generators

Features

- **The Generac OHVI® engine** incorporates full pressure lubrication with automotive style spin on oil filter for longer life engine.
- **TruePower™ Technology** provides clean, smooth operation of sensitive electronics, tools, and appliances.
- **Idle Control** reduces noise and conserves fuel for extended run-times.
- **Full panel GFCI protection** meets OSHA safety requirements.
- **Large-capacity steel fuel tank** with incorporated fuel gauge provides durability and extended run times.
- **Low-oil pressure shutdown** automatically safeguards engine from damage.
- **Covered outlets** provides added protection from the environment and rugged working conditions.
- **Full-wrap, heavy-duty, 1 1/4" steel tube cradle** for added durability and strength.
- **All-terrain, never flat wheels** for reliable portability.
- **User-friendly design** has conveniently placed engine controls for simple operation and east start-up.
- **Fold-down, locking handle** for sturdy portability and compact storage.
- **Plug-in battery charger jack** to keep battery charged and ready to go.
- **Integrated lifting eye** provides easy transport and security on the jobsite.
- **120/240V selector switch** provides full 120V power.
- **Single touch electric start**, Battery included, provides hassle-free start-up.
- **Hour meter** with maintenance resets tracks usage and monitors maintenance cycles.
- **First oil and maintenance kit included.**

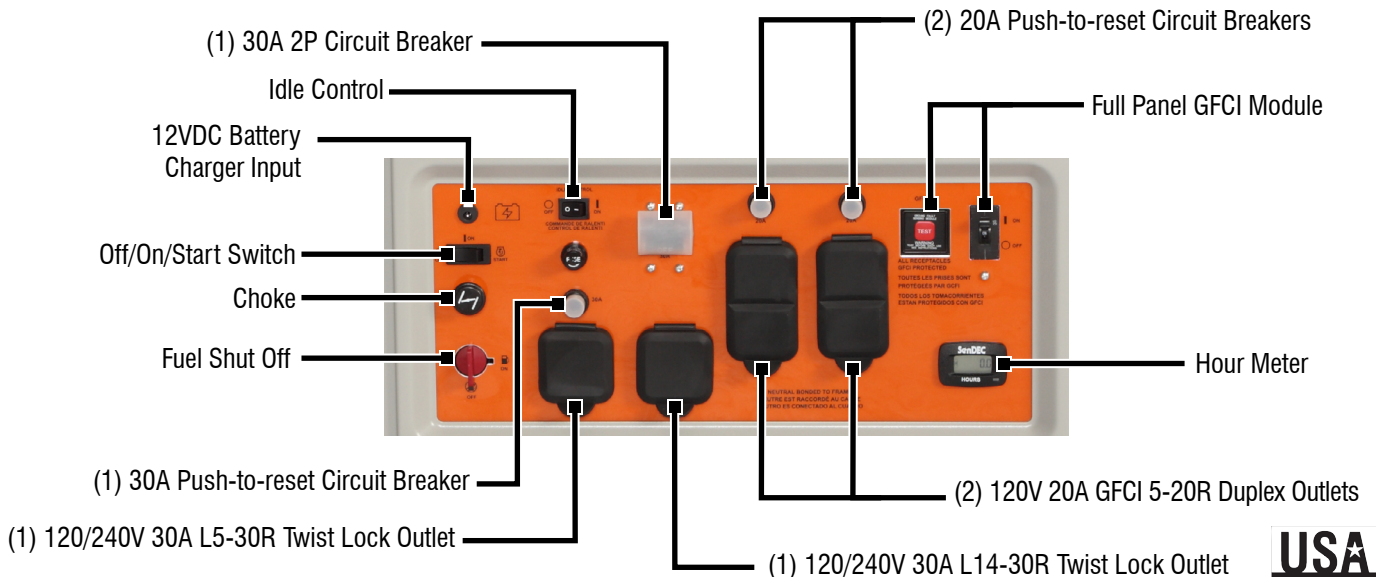
Model 5931-1 UPC: 696471059311
(EPA/49-State/CSA-Canada)

Model 5935-0 UPC 696471059359
(EPA/CARB-California)



AC Rated Output Running Watts 8000
AC Maximum Output Starting Watts 10000

49-State/CSA Control Panel



XP8000E

Specifications

Product Series	XP8000E
Model (Configuration)	5931-1 (EPA/49-State/CSA-Canada) 5935-0 (EPA/CARB-California)
AC Rated Output Running Watts	8000
AC Maximum Output Starting Watts	10000
Rated AC Voltage	120/240 VAC
Rated AC Frequency	60 Hz
Rated 120/240 VAC Amperage	66.6/33.3
Max 120/240 VAC Amperage	83.3/41.6
Engine Displacement	407cc
Engine Type	OHVI
Engine RPM	3600
Recommended Oil	10W-30 / SAE 30
Lubrication Method	Oil Pump
Choke Location	On Control Panel
Fuel Shut Off	On Control Panel
Starting Method	Electric/Recoil Pull Start
Battery	Yes
Battery Type	12VDC Ahr
Battery Wall Charger Adapter	Included
Low Oil Shutdown	Low Pressure
Neutral Bonded to Ground	Yes

Start Switch Type	Off/On/Start
Switch Location	On Control Panel
Single Point Lifting Eye	Included
Fuel Gauge	Built-in Tank
Fuel Tank Capacity Gal (Ltrs)	9 (34)
Run Time at 50% (Hours)	10
Handle Style	Fold/Locking
Wheel Type	10" Solid Wheels
Maintenance Kit	Included
Warranty- Residential	3 Year
Warranty- Commercial	3 Year

Dimensions and Weights

	Model 5931-1	Model 5935-0
Length in (mm)	34.6 (879.5)	
Width in (mm)	29 (736.5)	
Height in (mm)	27.2 (690.5)	
Extended Length in (mm)	48.5 (1232)	
Carton Length in (mm)	37.25 (947.5)	
Carton Width in (mm)	22.75 (577.5)	
Carton Height in (mm)	25.5 (646.5)	
Unit Weight lbs (kg)	241 (109.3)	249 (113)
Shipping Weight lbs (kg)	269 (122)	277 (125.5)

